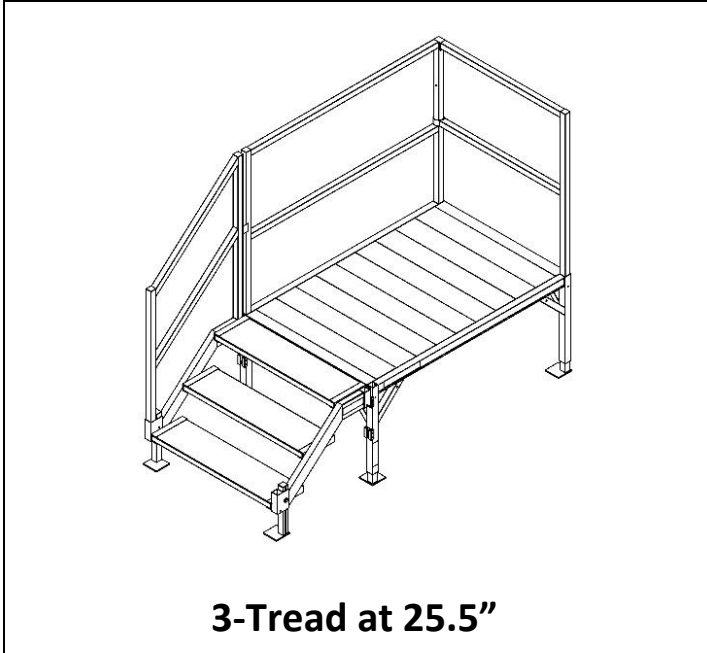
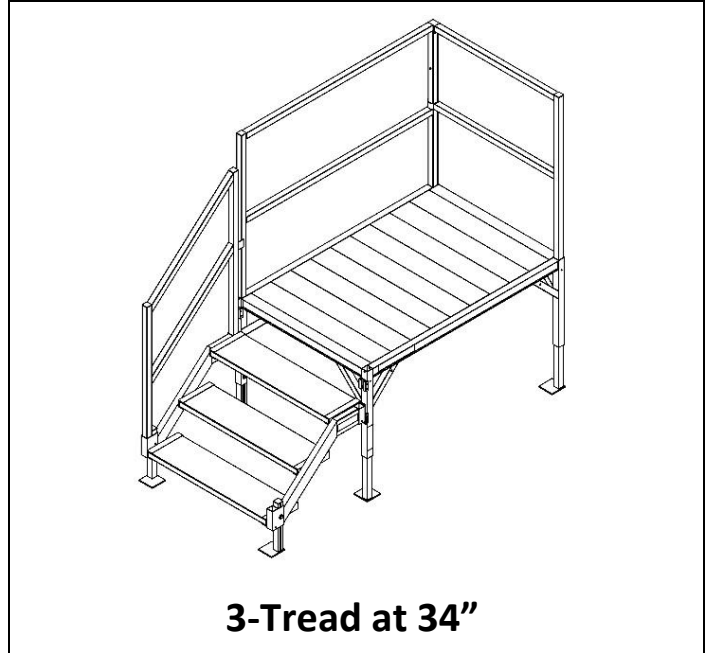


# Installation Manual

## FORTRESS® OSHA Stair System



**3-Tread at 25.5"**



**3-Tread at 34"**



**4-Tread at 34"**



**4-Tread at 42.5"**

3-YEAR WARRANTY. Please register at [www.ezaccess.com/warranty-satisfaction](http://www.ezaccess.com/warranty-satisfaction).

© EZ-ACCESS®, a division of Homecare Products, Inc. All rights reserved.

All text and images contained in this document are proprietary and may not be shared, modified, distributed, reproduced, or reused without the express written permission of EZ-ACCESS.



Manufactured in the USA

12963 REV 09-25-2023



## **INTRODUCTION**

Throughout this manual, the term “system” refers to the entire FORTRESS® OSHA Stair System, including its components, hardware, and any/all optional equipment.

## **SYMBOLS**

- ⚠ The **WARNING** symbol indicates a potentially hazardous condition/situation. The safety warnings throughout this manual, and on your equipment, if any, are for the protection of people and property. Failure by any operator to abide by safety warnings will result in a waiver of all liabilities, loss of your warranty, and could result in equipment damage and or failure, property damage, risk of serious bodily injury, and or death. The symbol may appear in various colors and in conjunction with other symbols and with or without the written word “WARNING”.
- 👉 The **NOTE** symbol indicates important information. Failure to obey all notes could result in improper operation, less-than-optimum equipment performance, and at the sole discretion of the equipment manufacturer, may void your warranty. The symbol may appear in various colors and in conjunction with other symbols and with or without the written word “NOTE”.

## **WARNINGS**

- ⚠ Rated Load: 1,000 lbs.; never exceed Rated Load.
- ⚠ Prior to installation and use, read and follow all instructions, warnings, and labels. Following all instructions and obeying all warnings before and during use is necessary for safe operation. Do not remove labels. For additional information or to obtain copies of instructions or labels, call 1-800-451-1903.
- ⚠ System owner(s) is/are required to maintain all labels and manuals in legible condition; this is essential for safe operation. If any labels or manuals are missing, damaged, or become illegible, they must be replaced.
- ⚠ This product must be installed by a qualified installer and maintained as specified in this manual and per your applicable local codes. Consult a contractor or your local Authority Having Jurisdiction (AHJ) for information.
- ⚠ Handrails are required and must be installed.
- ⚠ Only use components supplied by the manufacturer with the system.
- ⚠ Regular inspection of the system is required to identify worn, loose, or damaged parts, which must be immediately repaired by your original installer or a qualified technician. Failure to do so may result in serious injury.
- ⚠ Do not use the system if it is damaged or unstable.
- ⚠ Do not attempt to repair or modify any portion of the system without the support of your original installer or a qualified technician.
- ⚠ Ensure that the landings the system will be placed on are substantial and of sound construction.
- ⚠ Use only if the secure, unobstructed, level landings can support the Rated Load of the system (1,000 lbs.).
- ⚠ Before each use, confirm the system is secure, anchored, and installed per the instructions. Contact your installer for any necessary adjustments.
- ⚠ Use only if sufficient maneuvering room is available at both ends of the system to assure safe travel when entering and exiting the system.
- ⚠ The system may be slippery in wet conditions; use caution as traction may be reduced.
- ⚠ Before each use, remove ice, snow, dirt, leaves, and other debris on contact surfaces. Please refer to ‘MAINTENANCE AND SAFETY’ and ‘DEICING’ sections in the installation manual for more information.
- ⚠ Do not lean on, walk on, or otherwise bear weight on the system until installation is complete.
- ⚠ Do not run, jump, or play on or around the system.
- ⚠ Do not sit, stand, or climb on handrails.
- ⚠ Do not place anything on, under, or attach anything to the system including, but not limited to, planters, lights, decorations, etc.
- ⚠ Improper use of the system could result in serious injury.
- ⚠ Always exercise caution when handling, installing, and or using the system.

## **WARNINGS, CONT'D.**

- ⚠ Aluminum conducts electricity. Do not use the system during electrical storms or in proximity to damaged or exposed wiring.
- ⚠ Properly support and restrain the system in transit or storage.
- ⚠ For additional care, usage, or general safety information, please call 1-800-451-1903.

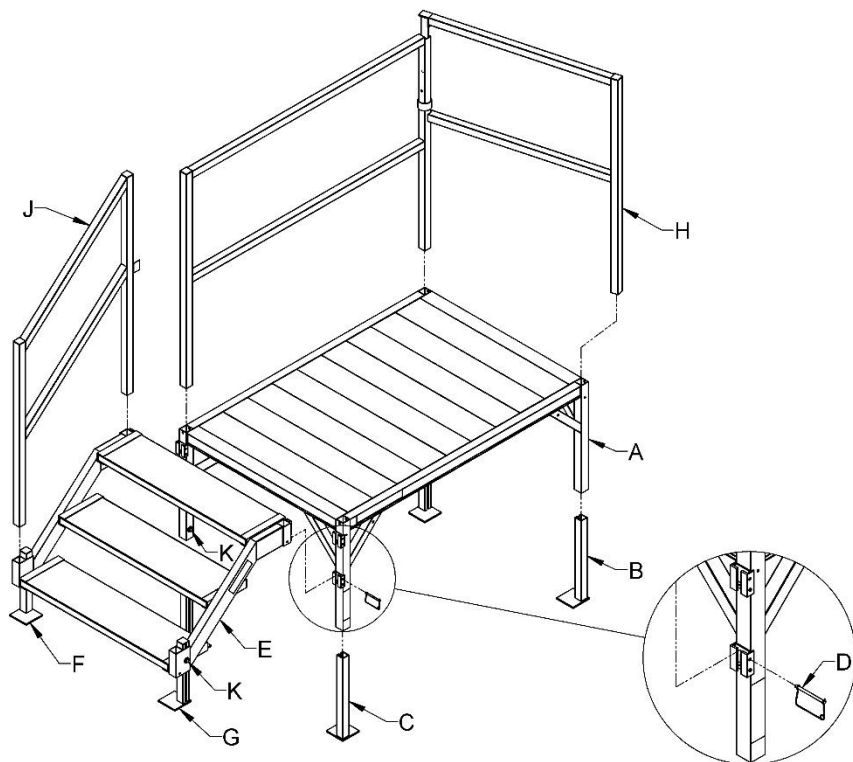
## **TOOLS TYPICALLY REQUIRED**

- |   |                |   |                               |
|---|----------------|---|-------------------------------|
| ✓ | TAPE MEASURE   | ✓ | 1/2" SOCKET (DEEP WELL)       |
| ✓ | LEVEL          | ✓ | 9/16" SOCKET (DEEP WELL)      |
| ✓ | RATCHET WRENCH | ✓ | MARKER (IF INSTALLING CANOPY) |

# BASIC SYSTEM COMPONENTS

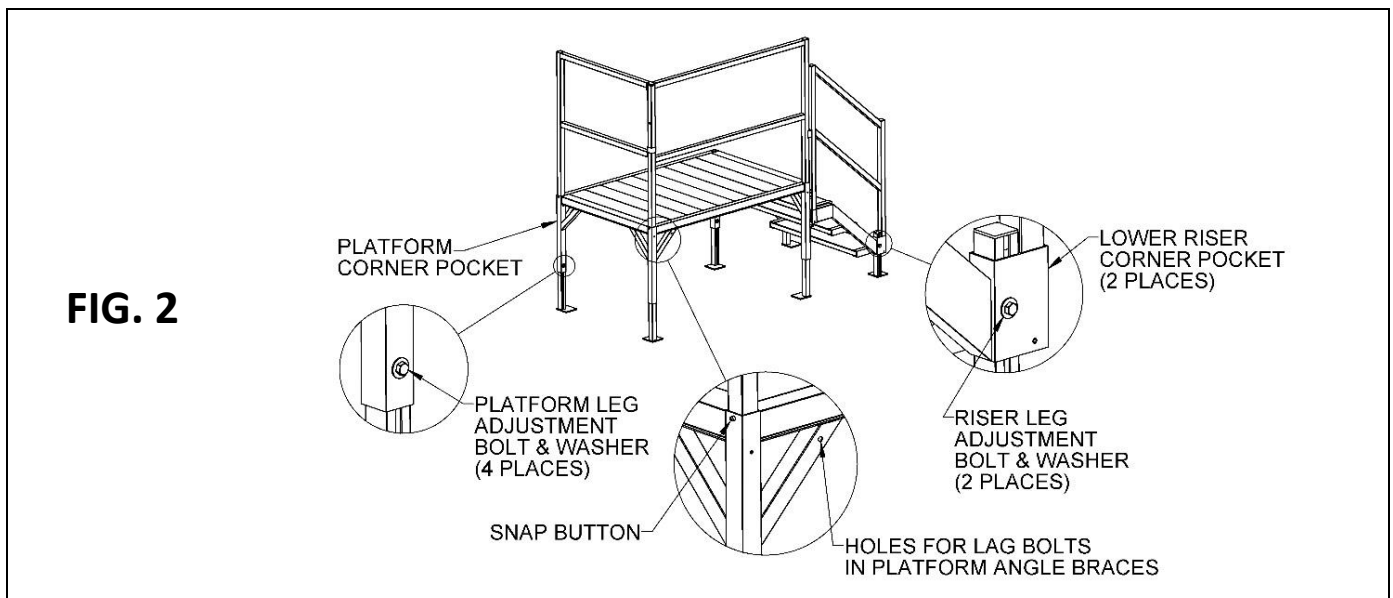
FORTRESS OSHA Stair System Component Descriptions	Diagram Letter (FIG. 1)
3-Tread Platform (Includes Legs)	A
4-Tread Platform (Includes Legs)	(Not Shown)
3-Tread Platform with Oversized Feet (Includes Legs)	(Not Shown)
4-Tread Platform with Oversized Feet (Includes Legs)	(Not Shown)
Platform Leg LH 17" (Included with 3-Tread Platform)	B
Platform Leg RH 17" (Included with 3-Tread Platform)	C
Platform Leg LH 24" (Included with 4-Tread Platform)	(Not Shown)
Platform Leg RH 24" (Included with 4-Tread Platform)	(Not Shown)
OSHA Riser Safety Pin	D
Riser 3-Tread (Includes Legs)	E
Riser 4-Tread (Includes Legs)	(Not Shown)
Riser 3-Tread with Oversized Feet (Includes Legs)	(Not Shown)
Riser 4-Tread with Oversized Feet (Includes Legs)	(Not Shown)
Riser Leg LH 12.5" (Included with Riser)	F
Riser Leg RH 12.5" (Included with Riser)	G
Platform Handrail	H
Riser Handrail 3-Tread	J
Riser Handrail 4-Tread	(Not Shown)
Platform Leg and Riser Leg Adjustment Bolts & Washers	K
Oversized Feet	(Not Shown)
Platform Canopy	(Not Shown)

**FIG. 1**

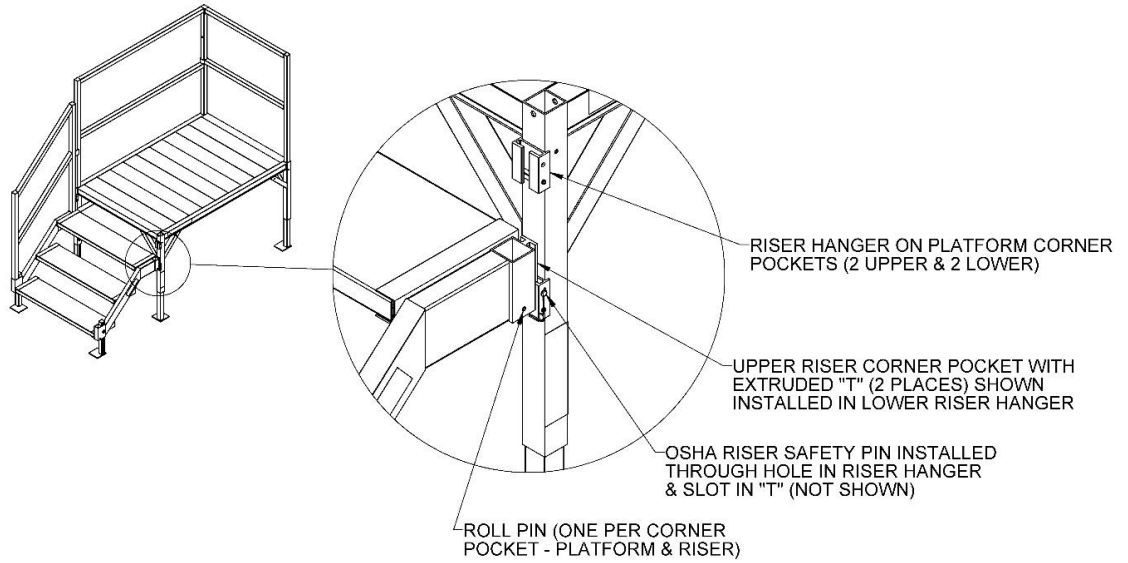


## 1. INSTALLATION

- 1.1. Set the platform on its side.
- 1.2. Loosen platform leg adjustment bolts in each platform corner pocket, but do not remove them. Adjust legs to the desired height and securely retighten platform leg adjustment bolts and washers (FIG. 2).
  - ✎ If using oversized feet, see 'OVERSIZED FEET INSTALLATION (OPTIONAL EQUIPMENT)' section.
- 1.3. Set the platform in an upright position.
- 1.4. Readjust the height of each platform leg as necessary to level the platform. A slight tilt away from the structure of no more than 1:50 will aid in drainage.
- 1.5. Remove the OSHA Riser Safety Pins and attach the riser (FIG. 1-E) to the platform by placing the "T" in the riser's upper corner pockets into the corresponding riser hanger (channels with roll pin) on the platform (FIG. 3).
  - 1.5.1. The "T" placement determines height; use either "T" upper or lower riser hangers as required.
- 1.6. Secure the riser to the platform by reinserting OSHA Riser Safety Pins into the riser hanger (FIG. 3).
  - ⚠ OSHA Riser Safety Pins (FIG. 1-D) must always be installed in the riser hangers on the platform corner pockets before use (FIG. 3).
- 1.7. Loosen riser leg adjustment bolts in the lower riser corner pockets, but do not remove them. Adjust the legs to the desired height and tighten the riser leg adjustment bolts securely (FIG. 2).
- 1.8. Insert the 60" (longer) side of the platform handrail into the platform corner pocket, on the side opposite the building or structure.
- 1.9. Unfold the 40" (shorter) side of the platform handrail (FIG. 1-H) and orient on the side opposite the riser, then lower the handrail into platform corner pockets until the snap button engages in the corresponding hole (FIG. 2).
- 1.10. Install the riser handrail (FIG. 1-J) into the riser on the side opposite the building or structure.
- 1.11. Lag bolt (not included) the platform to the building using holes in platform angle braces (FIG. 2).
  - ⚠ If lag bolts cannot be installed, secure the platform to the building or structure in another structurally sound manner.
- 1.12. Ensure the system is set up in the desired configuration, is correctly positioned, and complies with applicable OSHA codes.
- 1.13. Ensure all fasteners and locking mechanisms are in place and secured.



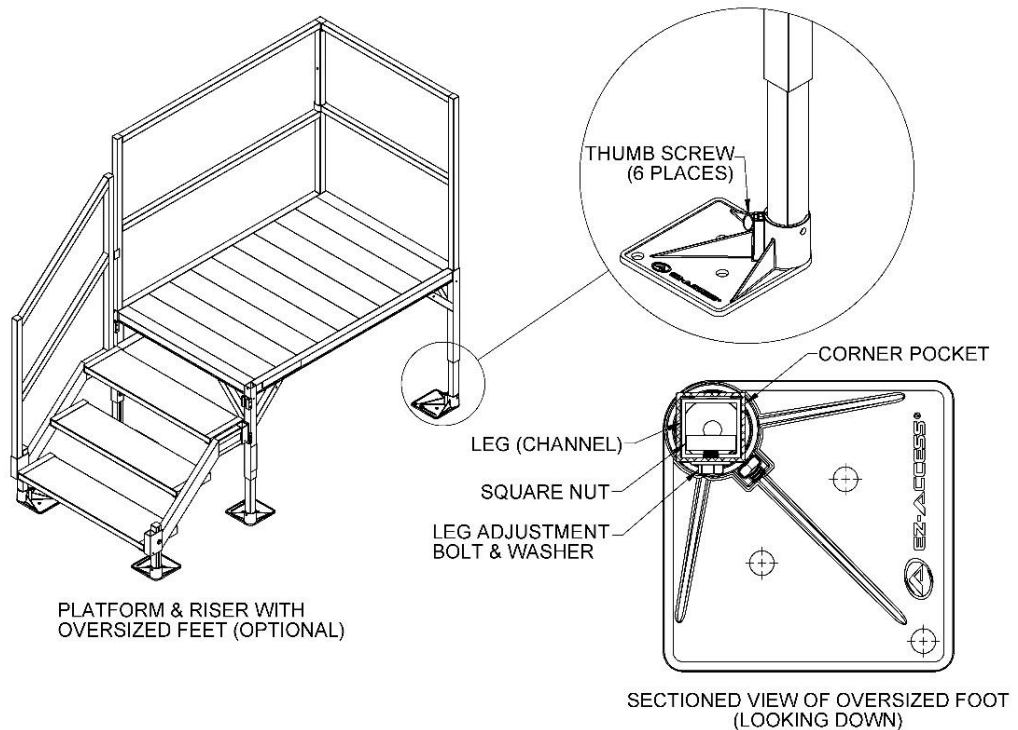
**FIG. 3**



**2. OVERSIZED FEET INSTALLATION (OPTIONAL EQUIPMENT)**

- 2.1 Loosen the leg adjustment bolts in each platform and riser corner pocket, but do not remove them; then remove the existing legs (FIG. 2).
- 2.2 Insert the legs included with the oversized feet into the corner pockets with the open side of the channel oriented toward the leg adjustment bolt and washer and the square nut inside the leg (FIG. 4).
  - ✎ The two short legs install in the bottom of the riser and the four long legs install in the platform.
- 2.3 Install an oversized foot onto each leg with the foot oriented under the platform or riser (FIG. 4).
  - 2.3.1 Adjust to the desired height, and then tighten both the thumb screws in the feet and the leg adjustment bolts in the corner pockets securely.
- 2.4 Proceed with the remaining installation steps.

**FIG. 4**



### 3. PLATFORM CANOPY INSTALLATION (OPTIONAL EQUIPMENT)

3.1 Remove handrails from the system (if installed) and set aside.

⚠ Use extreme caution on the platform when no handrails are present.

3.2 Insert 1-1/2" square canopy posts into platform corner pockets (FIG. 5).

3.3 Set canopy roof on canopy posts. Insert top of canopy posts into canopy roof corner pockets and tighten corner pocket set screws (FIG. 5).

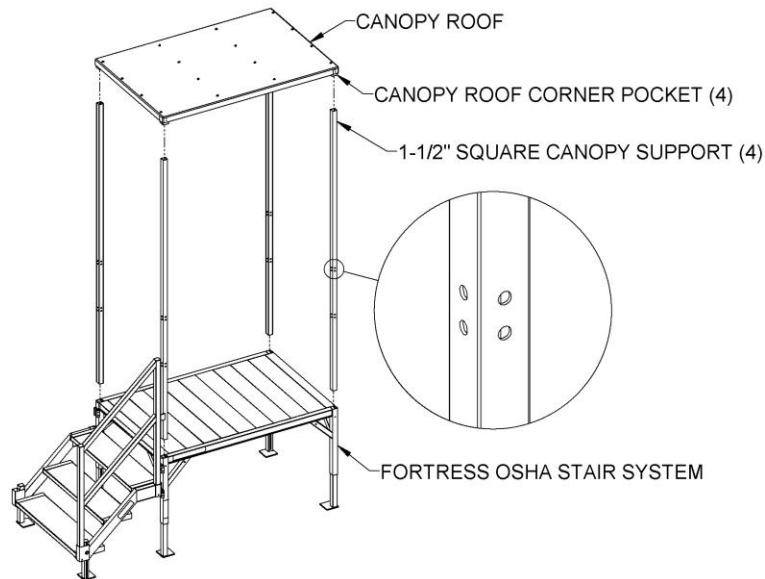
3.4 Insert 5/16"-18 x 3-1/2" button head socket cap screws, 5/16" flat washers, and 5/16"-18 locknuts as shown (with the locknuts on the inside) to attach handrails to the canopy posts (FIG. 6). Tighten all fasteners securely.

3.5 Install 1/4" x 1" pan head Phillips self-tapping screws through the existing holes in the platform corner pockets into the 1-1/2" square canopy posts (FIG. 6). Pre-drill 1/8" pilot holes in the canopy posts if needed.

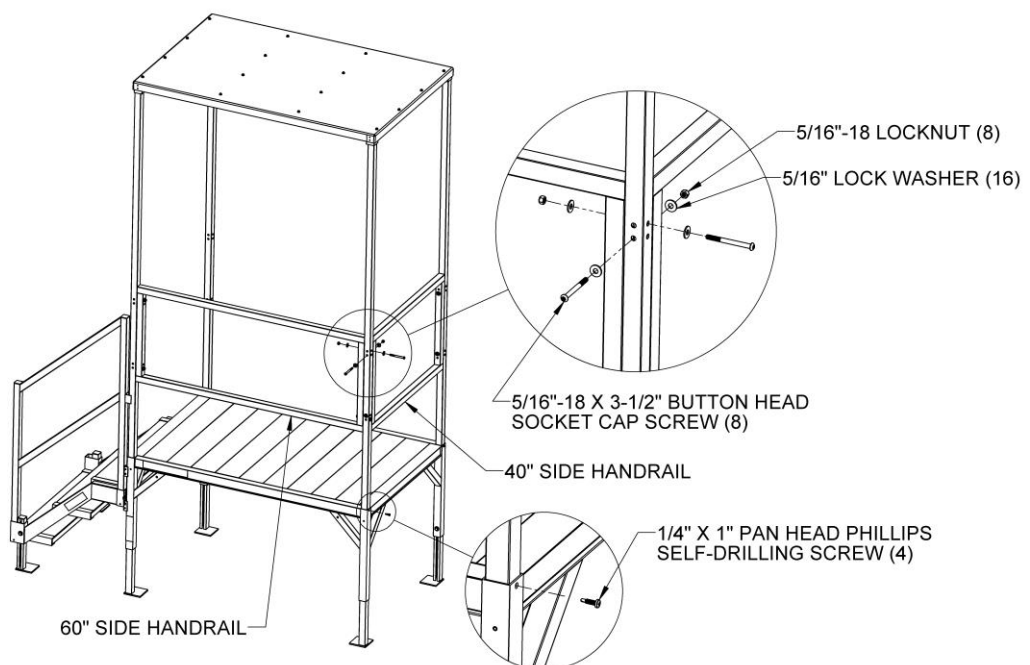
3.6 Ensure all fasteners are in place and tightened securely.

⚠ Regularly check and tighten fasteners as needed.

**FIG. 5**



**FIG. 6**



## 4. MAINTENANCE AND SAFETY

- 4.1. Always exercise caution when handling, assembling, and or using the system. Proper maintenance and upkeep of the system surface is vital.
- 4.2. Regular inspection of the system is required to identify worn, loose, or damaged parts, which must be immediately repaired by your original installer or a qualified technician. Failure to do so may result in serious injury.
- 4.3. Do not attempt to repair or modify any portion of the system without the support of your original installer or a qualified technician.
- 4.4. Before each use, confirm the system is secure, anchored, and installed per the instructions. Contact your installer for any necessary adjustments.
- 4.5. At all times, keep the system clear of dirt, leaves, and other debris that may accumulate on the surface. Simply sweeping the system or using a garden hose will usually suffice, but, if needed, a damp cloth or soft brush with soap and water can be used (avoid use of alkaline detergents).
- 4.6. If tread surface is covered with ice and or snow, remove ice and or snow before use. Snow accumulation should be shoveled, and the tread surface swept clean. Magnesium Chloride may be used to melt snow or ice accumulation on the system; however, after the snow and or ice threat has cleared, be sure to clean the tread surface with soap and water (avoiding alkaloid detergents) to remove Magnesium Chloride residue. See 'DEICING' section below for additional information.
- 4.7. Keep the system clear of debris and clutter. Do not use the system if walking surface is unsafe.
- 4.8. Do not run, jump, or play on or around the system, including climbing on or between the handrails.
- 4.9. Do not use any part of the system to support planters, lights, decorations, etc.
- 4.10. The system may be slippery in wet conditions; use caution as traction may be reduced.

## 5. DEICING

- ⚠ For the safety of all users, it is important to keep your system clear of snow, ice, and other debris.
- ⚠ Always follow the deicing agent manufacturer's directions.
- ⚠ EZ-ACCESS® will not be held responsible for any injuries or damages that arise from the information provided. ALWAYS check with the deicing product's manufacturer or your local supplier to determine which method is best for your situation.
- ⚠ After the snow and or ice threat has cleared, be sure to clean the tread surface with mild soap and water (avoid alkaline detergents) to remove deicing residue.
  - ✋ Sodium Chloride (salt) and Calcium Chloride are particularly damaging to newly poured concrete. In addition, these chemicals should not be applied to brick or stone surfaces.
  - ✋ While care has been taken to ensure that the table below is accurate, the information shown is not all-inclusive. Manufacturers of deicing products may make changes to their products as well as recommended functions and usage requirements. The deicing method you choose should be researched with your deicer supplier so you can determine which method is best for your situation.
  - ✋ The information below is taken from Fact Sheet 707, Cooperative Extension Service, University of Maryland at College Park, University of Maryland Eastern Shore, and was up to date at the time of this manual's publication.

PRODUCT	MIN. WORKING TEMP (°F)	SPEED OF ACTION	DAMAGES CONCRETE & METAL	HARMFUL TO PLANTS
MAGNESIUM CHLORIDE	-13	VERY FAST	NO	MODERATE
CALCIUM CHLORIDE	5	FAST	YES	YES
SODIUM CHLORIDE (SALT)	18	MODERATE	YES	YES
POTASSIUM CHLORIDE	25	SLOW	OK ON OLD CONCRETE	MODERATE
CALCIUM MAGNESIUM ACETATE (CMA)	25	SLOW	NO	NO



Thank you for choosing EZ-ACCESS<sup>®</sup>  
for your accessibility needs.



**EZ-ACCESS<sup>®</sup>**

**[www.ezaccess.com](http://www.ezaccess.com)**